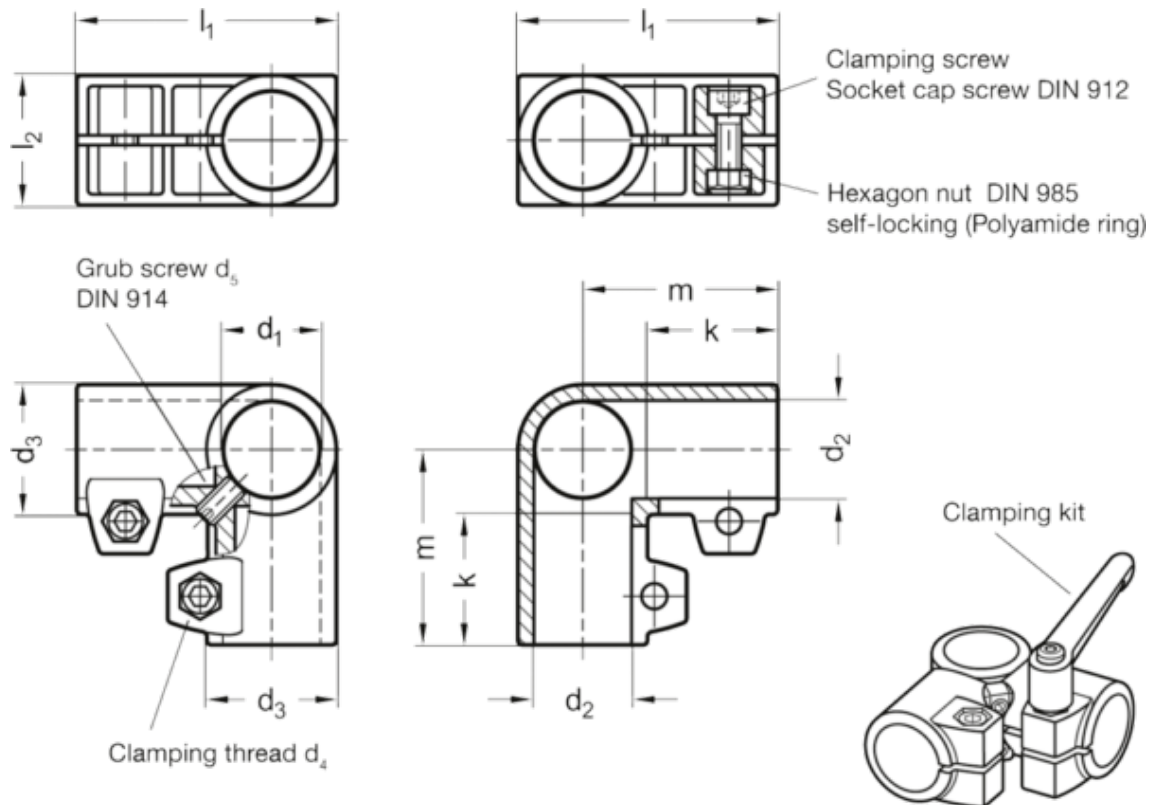


Article number: 20196B30B302BL

Description: E+G Angle connector clamp  
GN 196-B30-B30-2-BL

## Measures



	= 216
Clamping kits for $d_4 = \text{GN 911-M8-32}$	
$d_2$	= B 30
$d_3$	= 40
$d_4$	= M 8
$d_5$	= M 8
$l_1$	= 80
$l_2$	= 52

$k$ Clamping length	= 40
$m$	= 60
Weight in (g)	= B 30